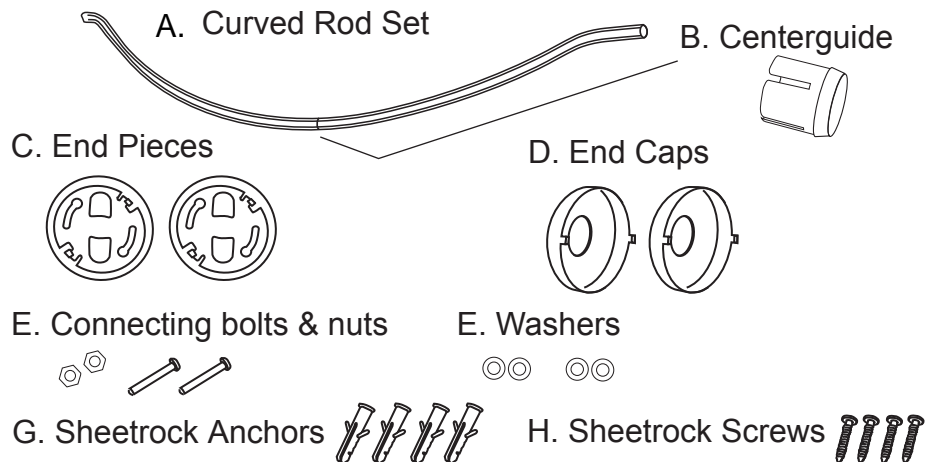


Curved Shower Rod Model 2631

Putting all these parts together is quite easy so long as you follow the directions closely. We suggest you lay all the parts out and read through the entire directions before you start. We suggest a two person installation. Tools required but not included: Electric drill, either tile or standard 3/8" drill bit, phillips head screw driver.

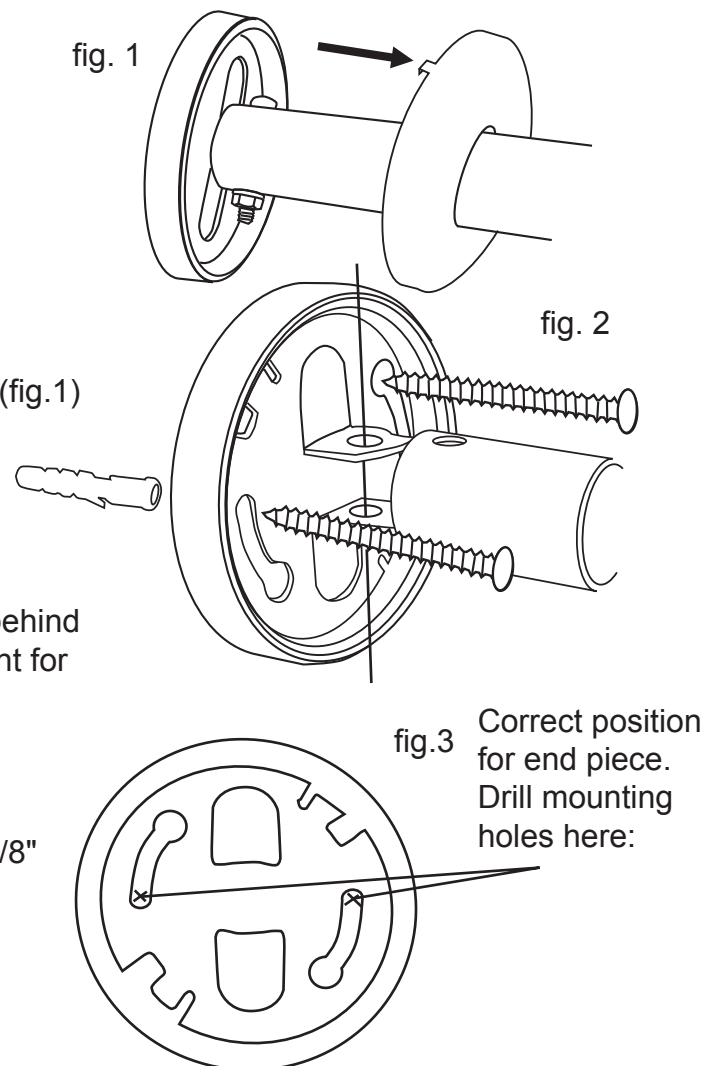
Parts List:

- A. (1) 2-piece Curved Rod Set
- B. (1) Rod Centerguide
- C. (2) End Pieces
- D. (2) End Caps
- E. (2) Connecting bolts and nuts
- F. (4) Washers
- G. (4) Sheetrock Anchors
- H. (4) Sheetrock Screws



Assembly Instructions

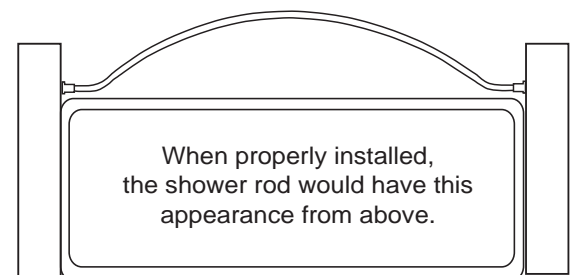
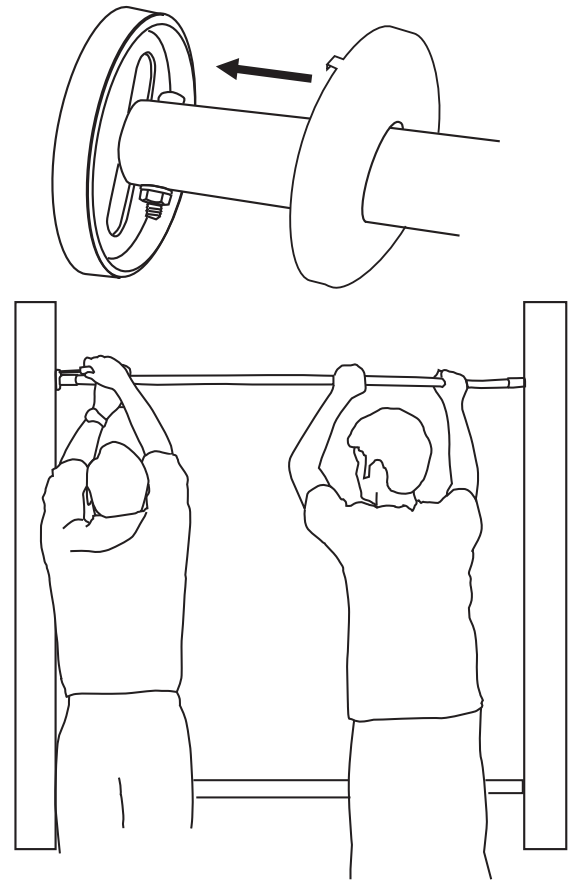
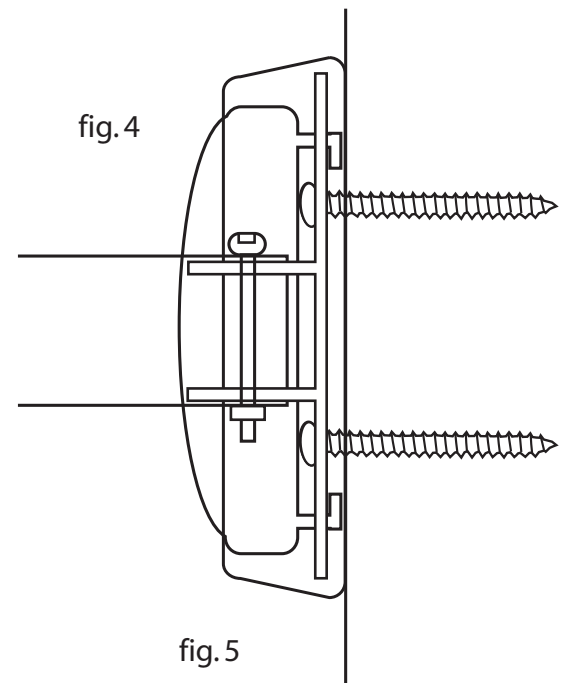
1. Grasp each end of the rod set and pull apart to extend the rod set to the required length. The fully-extended rod set maximum length is approximately 5' 4" and minimum length is approximately 3'7".
2. Twist the endcap to release it from the end piece and push it away from the end to expose the connecting bolt and nut on each end (fig.1)
3. Place an end piece on the wall in position. The correct positioning for the endpieces has the holes in the end piece flanges vertical (fig. 2)
4. Mark the placement for screw holes on the wall behind the endpieces. Mark the walls at the correct height for your installation. Make sure the rod will be level. Drill holes for mounting, set sheetrock anchors and screw the end pieces to the wall.
5. Drilling: for tile, use 3/8" tile bit. Use a standard 3/8" drill bit for sheetrock. Drill holes, then insert the provided anchors into the holes and tap them flush with a small hammer.



Assembly instructions continued from front.

Curved Shower Rod Model 2631

6. Make sure that both endcaps are on the rod set, pushed back from the ends. Place one end of the rod set over the flanges on one end piece. Extend the rod set and place the other end of the rod set over the other end piece flanges. Screw the rod set to the end pieces using provided connecting bolt, nut and washers.
7. Replace the endcaps in their locked position by pushing each toward one end and pressing while rotating the endcap. The endcap has two locking flanges (fig.4, fig.5) which will connect with the face of the end piece when twisted into place.



Better Sleep Inc.

100 Readington Road
Branchburg, NJ 08876-1434
<http://www.better-sleep.com>
908 393 0120
Fax: 908 393-0126